

LAN-LINK 1000[®]



DESCRIPTION

The LAN-LINK 1000 offers the most efficient and cost-effective means of connecting two or more Ethernet LANs (Baseband or Broadband) to form an extended Local Area Network.

The LAN-LINK 1000 maximizes the performance and efficiency of your extended LAN while automatically adapting to configuration changes in your network. No software is required.

The bridge joins Ethernet segments providing a throughput of 10 Megabits per second to meet the highest throughput of your Local Area Network.

Employing a mechanism known as MAC (Media Access Control) Level Bridging, the bridge operates at the Data Link level and is protocol independent. Protocols such as XNS, DECNET, TCP/IP, and others occupy only the data field of an Ethernet packet and pass intact allowing simultaneous transmission of multiple protocols.

Packet filtering in the LAN-LINK 1000 further ensures peak network performance by minimizing inter-LAN traffic. The bridge keeps local traffic on its intended Ethernet segment and forwards only data packets which are intended for different LAN segments.

The LAN-LINK 1000 is optimally designed to meet the expanding needs of the Ethernet user providing the throughput, network management and flexibility required in multi-vendor, multi-segment LAN environments.

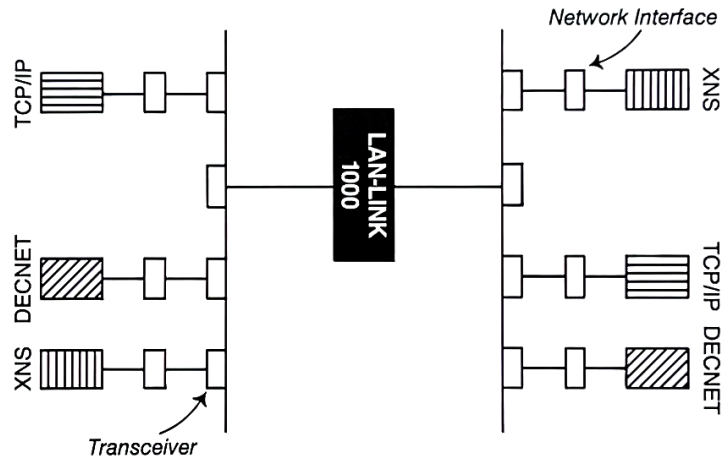
FEATURES

- Connects two or more Ethernet segments
- Operates at the Data Link Layer and is protocol independent
- High performance throughput of 10Mbps
- Full compatibility with Ethernet IEEE 802.3 (Baseband or Broadband)
- Manages network traffic for optimum efficiency
- Automatically monitors and accommodates network configuration changes
- Bridges are fully-integrated with no software required
- Simultaneous transmission of multiple protocols
- Can be used in redundant configuration for automatic back-up
- Fiber optic interface available
- Microwave interface available for full 10Mbps LAN extension between facilities miles apart
- 19" rack mounting available

SPECIFICATIONS

Network Interface:	Ethernet 2.0/802.3
Packet Filtering:	Learning Bridge, MAC Level
Performance:	10Mbps (in excess of 6000 packets/sec.)
Network Management:	Access via RS-232/422 or Ethernet Packet Performance monitor/statistics Routing table information Front panel displays for network status
Environmental (Operating):	Power: 115v, 3 amps max. Temperature: 0°C to 40°C Humidity: 0-80% non-condensing Altitude: 10,000 feet Cooling: forced air

19" rack mounting optional.



LAN-LINK 1000 is a registered trademark of Microwave Bypass Systems Corp.
XNS is a registered trademark of Xerox Corporation.
DECNET is a registered trademark of Digital Equipment Corporation.
Microwave Bypass Systems believes the printed matter herein to be accurate from date of publication and reserves the right to make changes to its contents without notice.

For more information about this and other Microwave Bypass Systems products contact:



One Kendall Square, Suite 333
Cambridge, MA 02139
(617) 494-8700